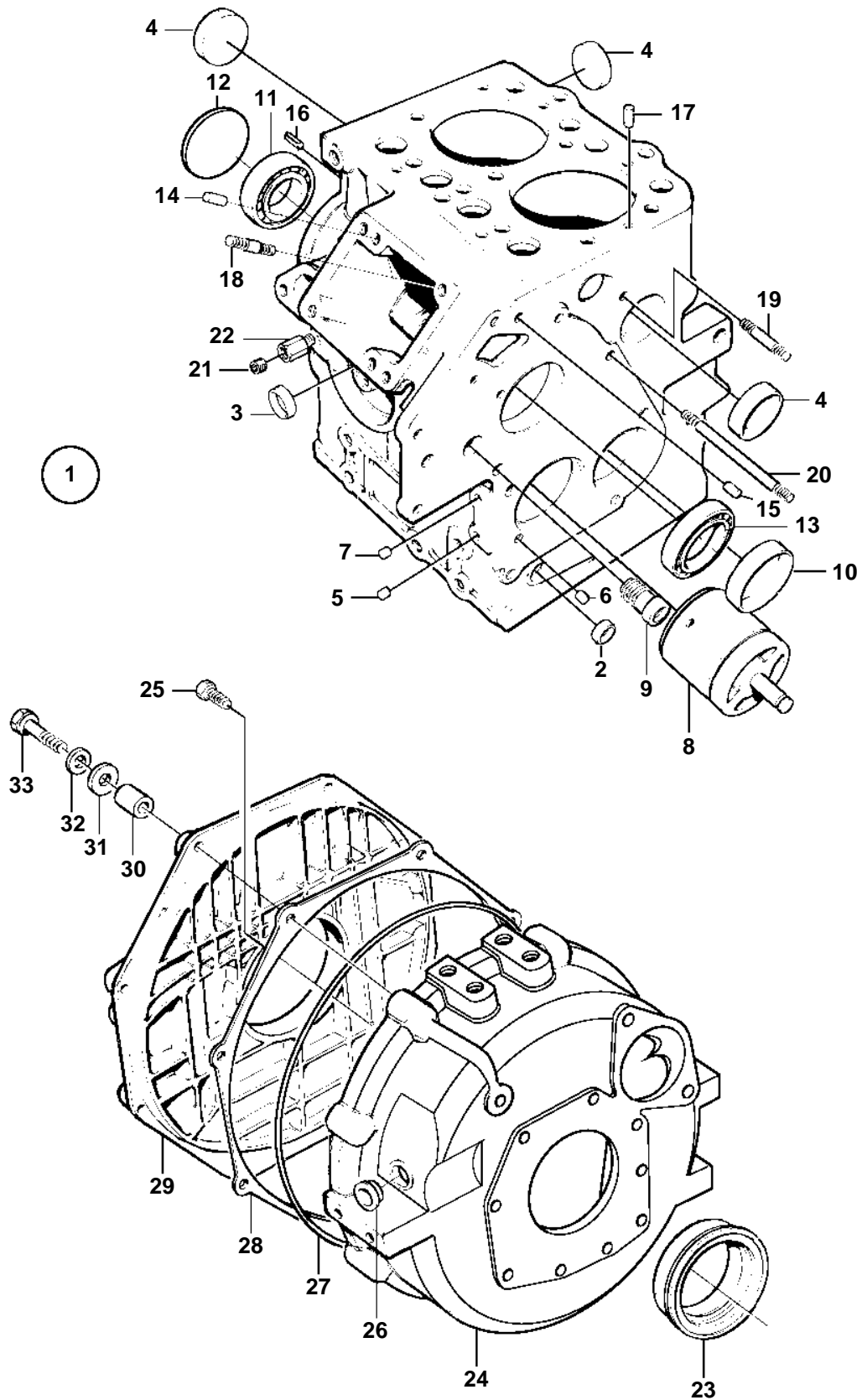


MD2010C, MD2010D



MD2010C, MD2010D

REF	PART NO.	QTY	DESCRIPTION	NOTES
1	861800	1	Cylinder block	
2	861801	1	· Plug	
3	861802	2	· Plug	
4	861803	3	· Plug	
5	3807215	4	· Plug	(3580456)
6	861805	1	· Plug	D=5mm
7	861806	4	· Plug	D=9mm
8	861807	1	· Shaft	
9		1	· Bushing	
10	861809	1	· Main bearing	
	861810	1	· Main bearing	
	861811	1	· Main bearing	
11	861812	1	· Bearing	
12	861813	1	· Expansion plug	
13	861814	1	· Bearing	
14		2	· Pin	
15		2	· Pin	
16		2	· Pin	
17	861818	2	· Spring pin	
18	861819	2	· Stud	
19	861820	1	· Stud	
20	3583709	1	· Stud	(861821)
21		1	Plug	
22	861831	1	Connector	
23	861823	1	Sealing ring	
24	3581775	1	Flywheel housing	
25	946173	4	Flange screw	(861844)
26	861848	1	Plug	
27	861647	1	Ring	
28	861636	1	Gasket	
29	861633	1	Flywheel housing	
30	861635	1	Insulating bushing	
31	861634	8	Insulating washer	
32	945583	8	Washer	
33	946470	8	Flange screw	